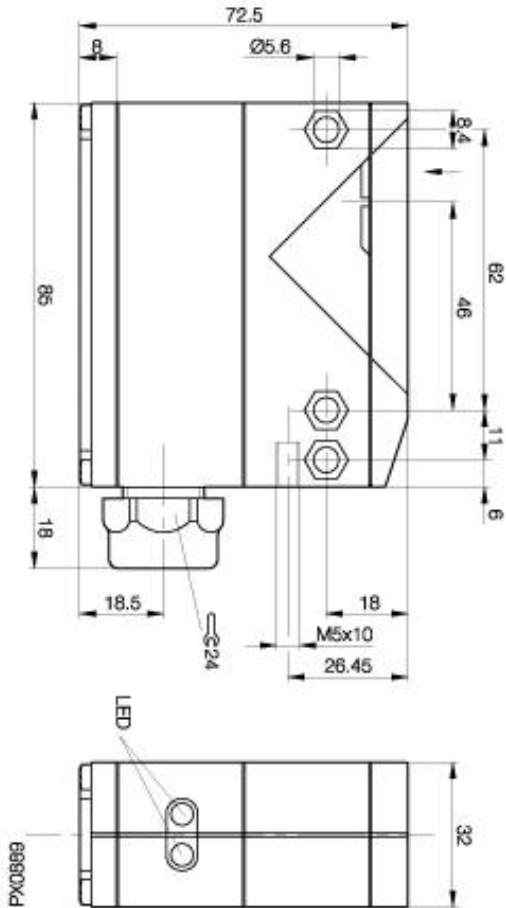


Photoelectric Sensor BLE 65K-1-F50T-1 Sn=50000mm through-beam



Common Data

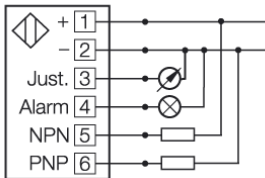
Series	65K
Sensortype	through-beam
Switching frequency	10 Hz
Rated operating distance Sn in mm	50000
asured operating distance Sa	adjustable
Repeat accuracy	< 5% from Sn
Hysteresis	< 20%
Indication Switching element on	yes, red LED
Indication Special funktion	LED green Stability indicator
Ambient temperature	-20...+55°C
On-delay	< 20ms
Off-delay	< 5ms
Light	Infrared
Sensitivity Adjustment	Poti
Permissable ambient light	3000 Lux

Mechanical Data

Measurements	85x72,5x32
Shock	Halfsinus, 30gn, 11ms
Vibration	10...55Hz, 1,5mm Amplitude 3x2h
Housing material	Polycarbonat
Material of sensing face	PMMA
Degree of protection	IP67
Connection	Screw terminals
Weigth	160g

Electrical Data

Current	AC/DC
Switching function	NO/NC
Output	Relais
Rated operational voltage Ue	110V AC
Supply Voltage	17...264V AC/DC
Ripple	max. 6% from UB
Frequency of Supply Voltage	AC/DC
Short protection	no
Rated insulation voltage	250VDC
Output resistance	33kOhm
max. Load capacity	1µF



Utilization categories
Insulation class

DC 13

Datasheet number:

Definitions see general catalog.
If not otherwise noted, ratings according to
IEC 60947-5-2 (DIN EN60947-5-2)

Balluff GmbH
Schurwaldstrasse 9
73765 Neuhausen a.d.F.
Phone (07158) 173-0 Fax (07158) 5010

Datenblatt by CD-ROM - 04/2007

BALLUFF
sensors worldwide